



**CET 48H**



**CET 48G**  
Certified by VCA, UK.

**INTERIOR TESTING FACILITIES**



**VIBRATION TEST MACHINE**

- At APM's test lab, our electrodynamic shaker machine allows our engineers to pin point the sources of noise from the seat.
- Our seats are tested from 6 - <10 hertz, and between 500 - <1.5million accelerations, allows also for engineers to also evaluate the overall integrity of the seat's built.



**MANNEQUIN**

- The mannequin simulation is one of the most important aspect of a good seat design.
- By using this specialized mannequin, it allows for our engineers to design and profile the seat to suit the human body, and especially for better H-point (hip point) position, which translate into a more comfortable and safe sitting position.

At APM, our seats are designed and delivered with an inspired, best-in-class cabin experience. The safety and reliability of a seat are invisible qualities that are verifiable only through trials and tests. During the prototype phase and prior to official testing, APM products will undergo internal testing in our specialised and well equipped test facilities and laboratory. This is a further capability that reinforces our competitiveness in quality and efficiency of the entire supply process.



**Overseas Enquiries:**  
**APM Auto Parts Marketing (Malaysia) Sdn. Bhd.**  
 Email : [apmex@apm.com.my](mailto:apmex@apm.com.my)  
 Telephone : +603-3161 8783  
 Website : [www.apm.com.my](http://www.apm.com.my)

**Domestic Enquiries:**  
**APM Seatings Sdn Bhd.**  
 Email : [mktg\\_apmst@apm.com.my](mailto:mktg_apmst@apm.com.my)  
 Telephone : +603-3161 8695  
 Website : [www.apm.com.my](http://www.apm.com.my)



*The Preferred Choice*

**VIP SEATS**



APM SEATS

# SPECIFICATIONS



**CET 48L**



**CET 48K**



**CET 48J**



**CET 48I**



**BACK GRAB HANDLE    THIGH SUPPORT    MAGAZINE POCKET**

- APM Luxury 2+1 coach seats are made for the most discerning traveler.
- Designed to emulate first class air travel, the generously proportioned seat provides superb comfort for the passengers.
- Comes with height adjustable headrest pillow for added personal preference.
- Choices of deluxe armrests for the sides and center (Double seater) seats.
- With quick-recline seat back, and gas-spring activated thigh support features, the seat provides a touch of class for the passengers.
- Seat back, squab, and thigh support foams are molded from Polyurethane (PU) foam to ensure durability and comfort.
- Comes with a wide range of automotive grades trimming combinations (Leather, fabric, vinyl, and carpet)

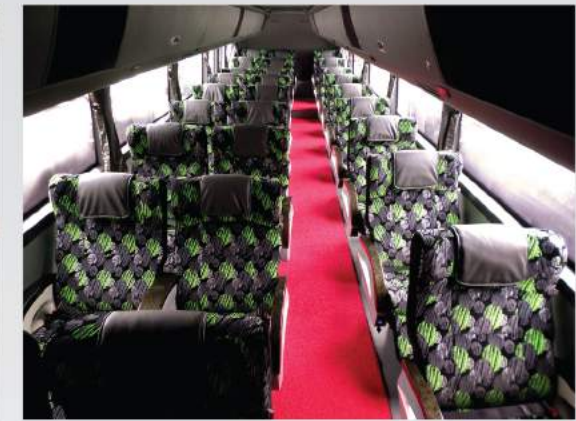
### OPTIONAL ACCESSORIES :

- Magazine pocket.
- Foldable aluminum footrest.
- Grab handle.
- 2-point lap belt or 3-point retractor safety belt.
- Customizable for 10" display infotainment system.
- USB charging port.
- Food tray.
- Cup holder.
- Coat hangar.
- Massage system.

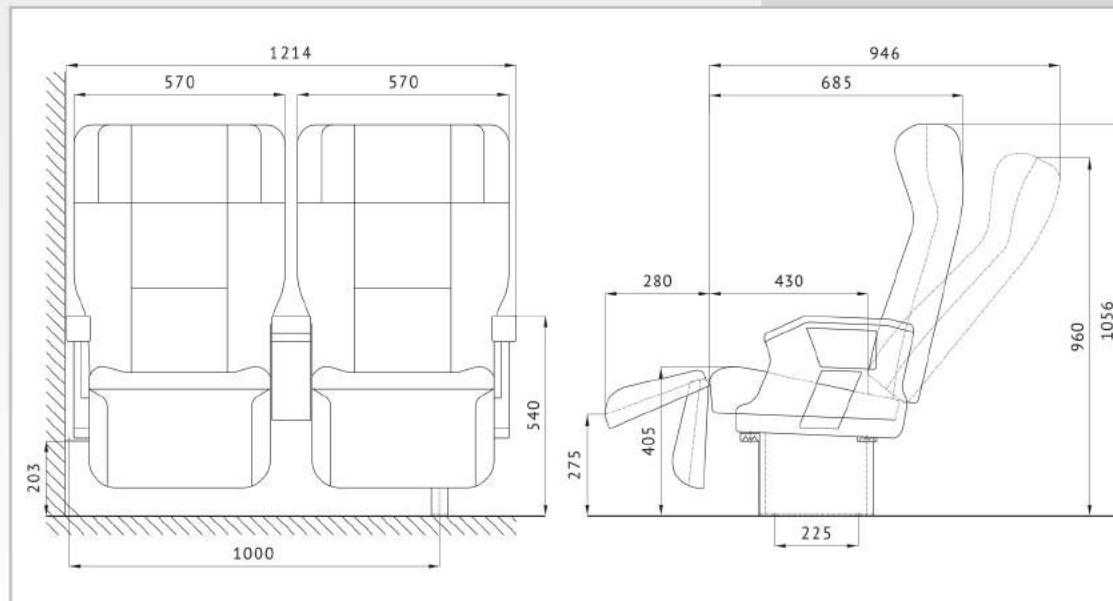
Certification :



## BUS INTERIOR



### SEAT LAYOUT - COMPL DOUBLE SEAT ASSY (CET48K)



### SEAT LAYOUT - COMPL SINGLE SEAT ASSY (CET48K)

